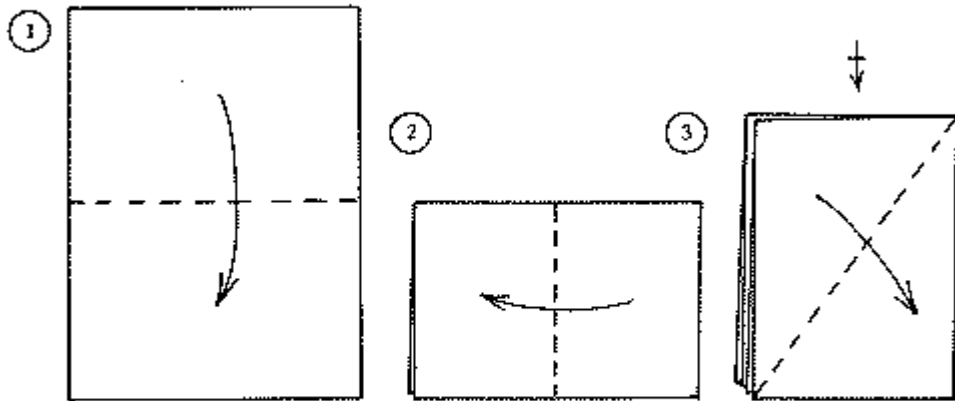
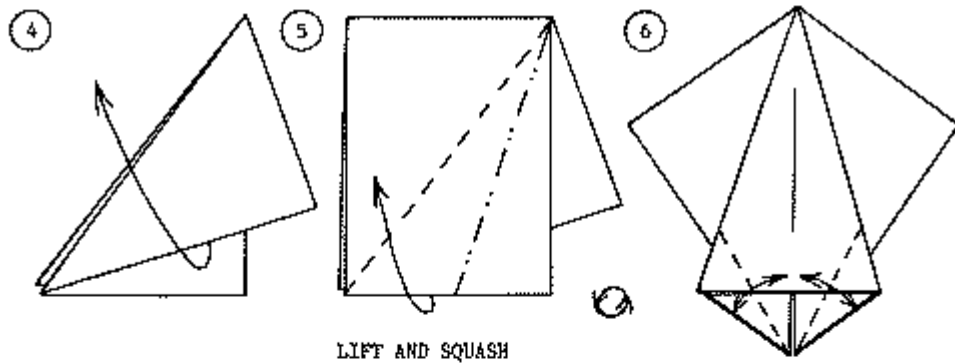


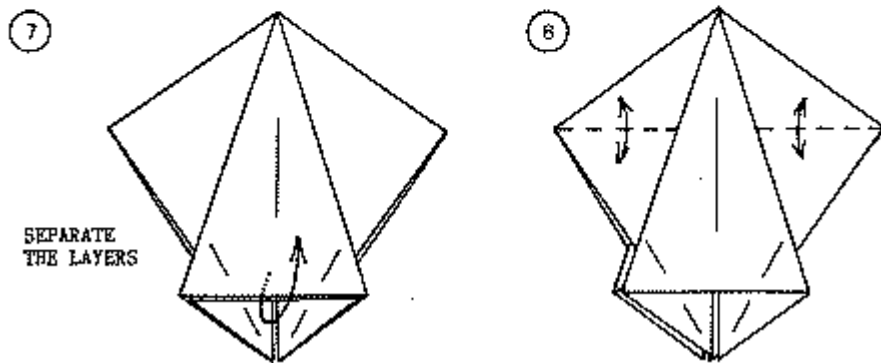
Maiale (pig) di Edwin Corrie



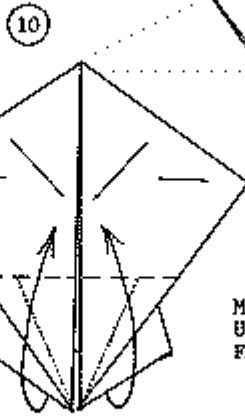
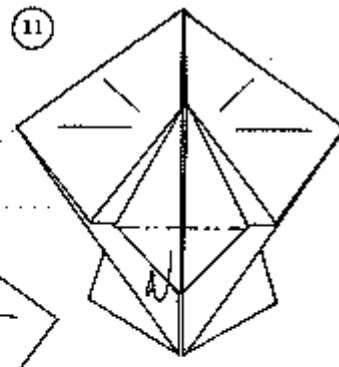
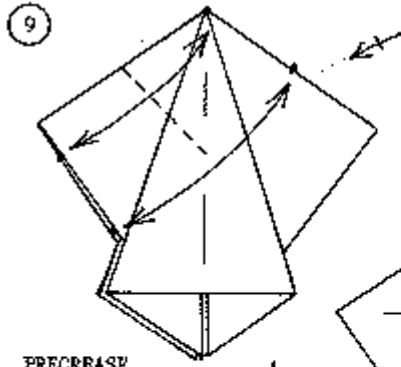
A4, SAME COLOUR BOTH SIDES



LIFT AND SQUASH

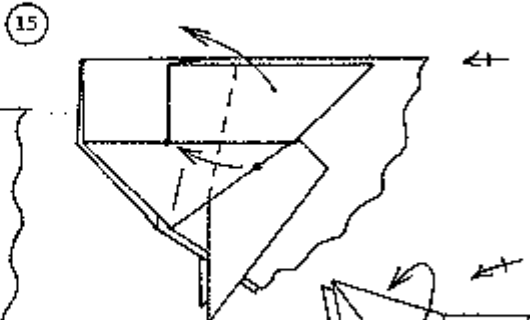
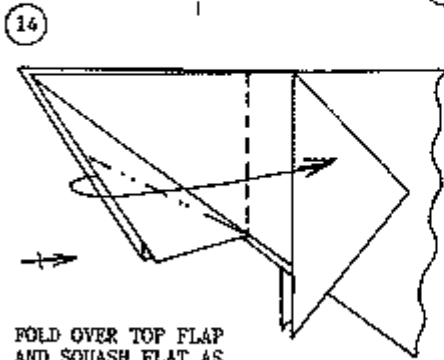
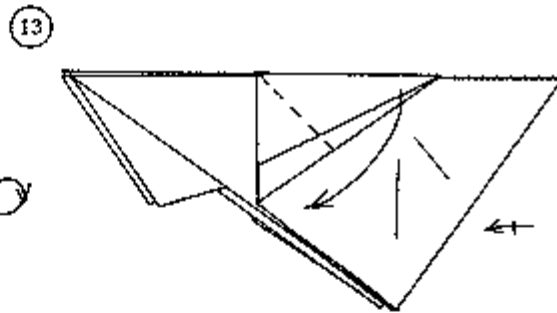
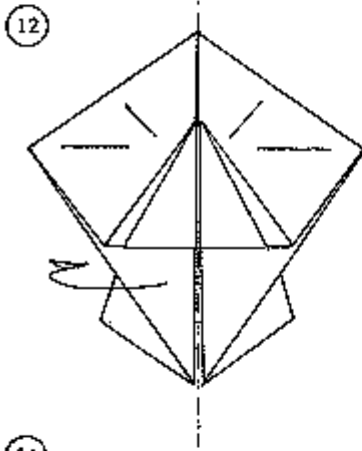


SEPARATE THE LAYERS

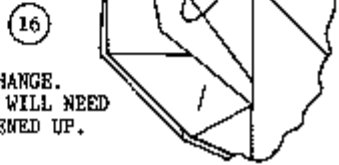


PRECREASE

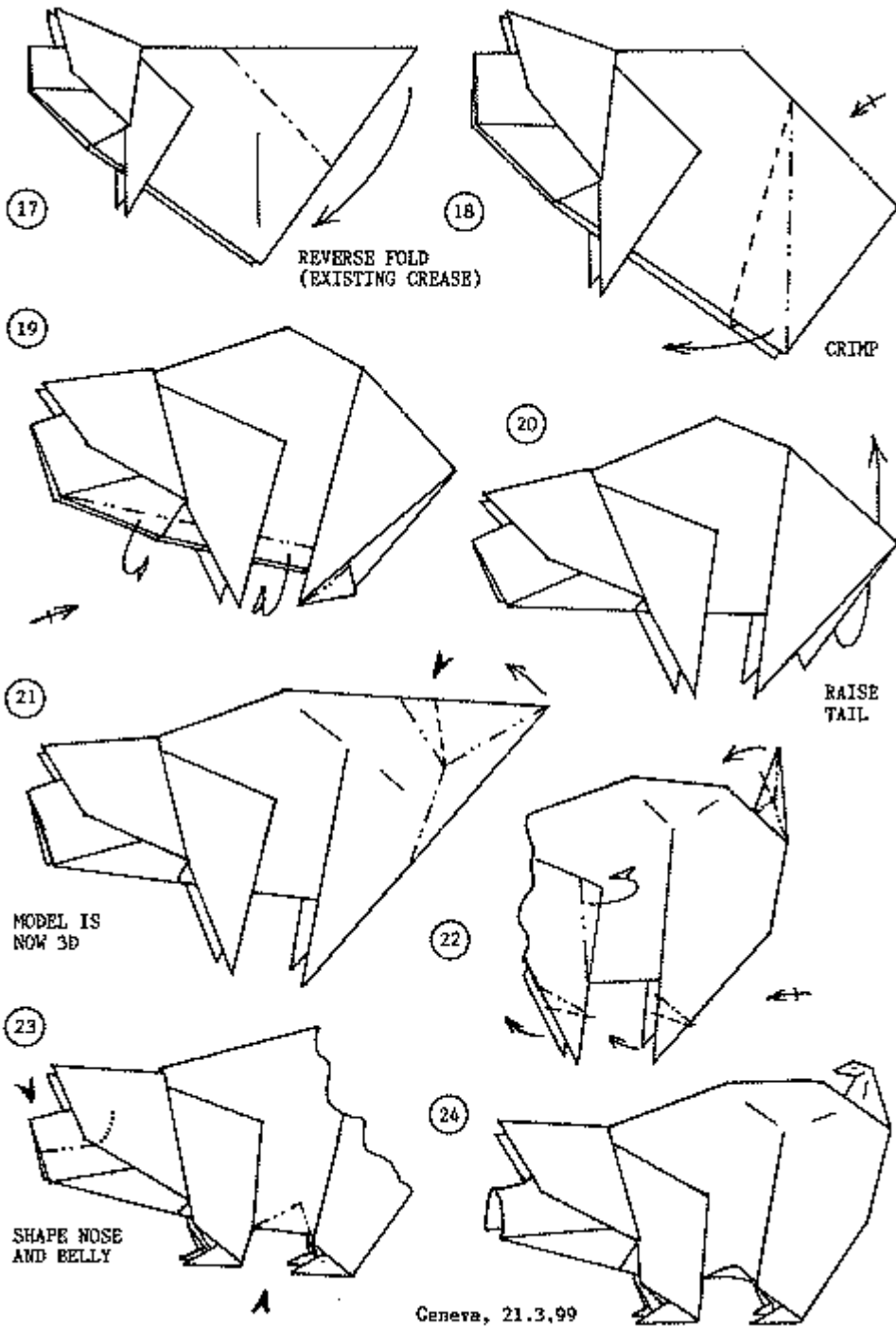
MAKE TWO PETAL FOLDS
USING THE CREASES
FROM STEP 6



FOLD OVER TOP FLAP
AND SQUASH FLAT AS
SHOWN IN STEP 15



COLOUR CHANGE.
THE HEAD WILL NEED
TO BE OPENED UP.



Geneva, 21.3.99