

# Humming Bird

*By Derry Bailey*

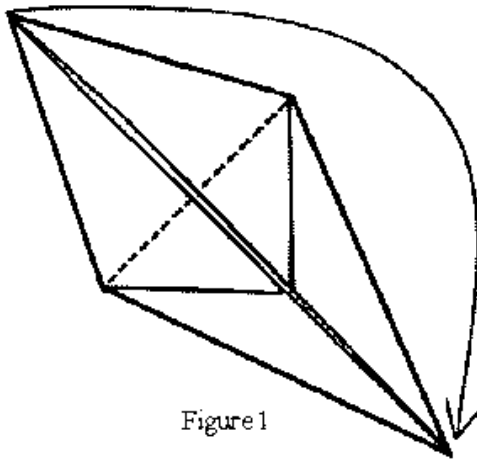


Figure 1

1. Start out with the Fish Base, then fold it in half, as shown in figure 2.

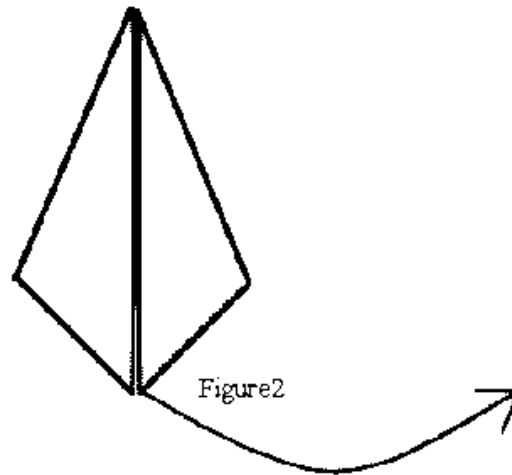


Figure 2

2. Unfold one side of the model, as seen in figure 3.

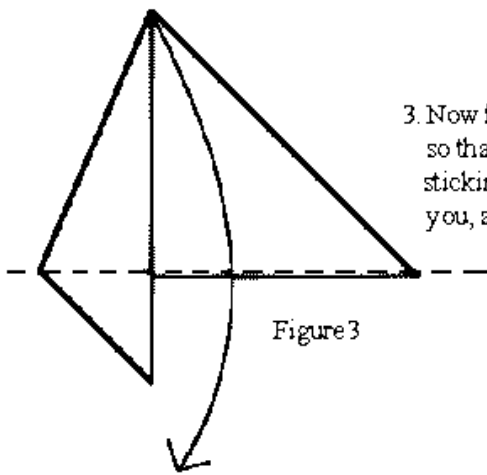


Figure 3

3. Now fold entire model out flat, so that the side with the flap sticking out, is facing up towards you, as seen in figure 4.

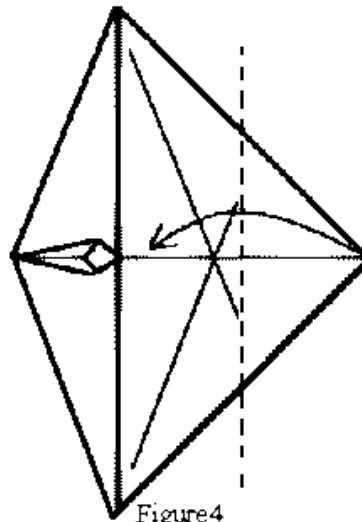
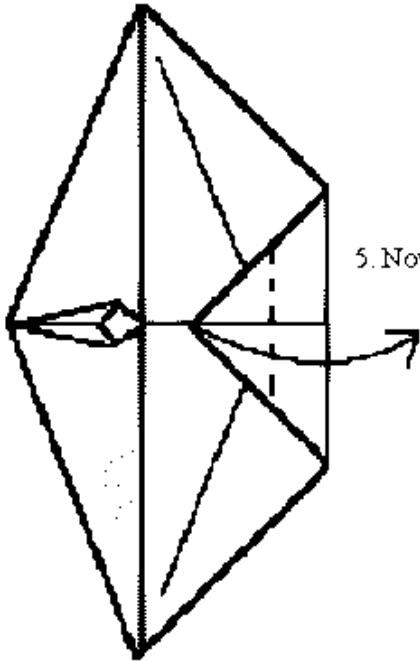


Figure 4

4. Now fold the side in, towards the center of the model, but not quite to the center.



5. Now fold the flap back out, as shown in figure 5.

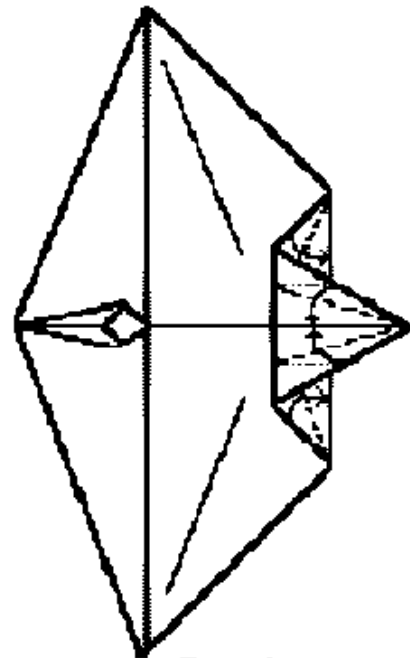


Figure 6

6. This is a little more difficult, the first time through, but after that it is simple. Fold the sides of the flap inwards while also folding up the sides, follow the illustration, and I am sure you will get it.

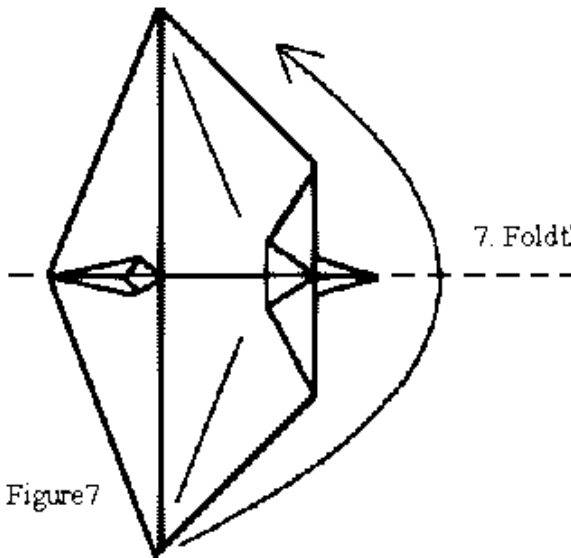


Figure 7

7. Fold the entire model in half

8. Always remember, that unless otherwise noted, what you do to one side of a model, must also be done to the other side as well. Fold the top of the model in ward even with the crease.

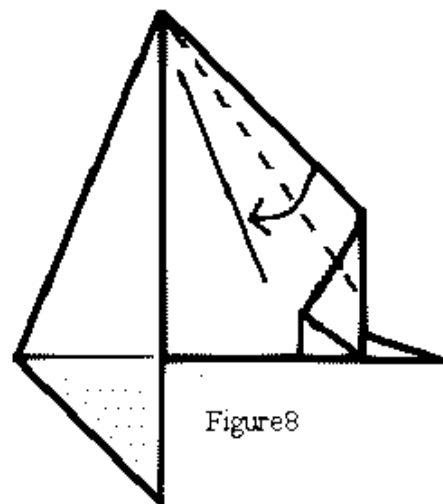


Figure 8

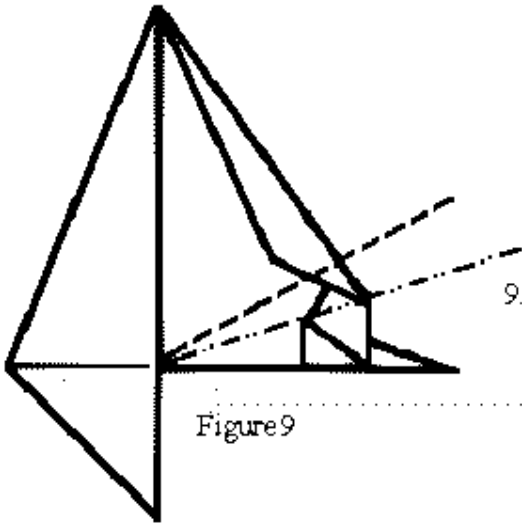


Figure 9

9. Now fold the head up along the lines shown in figure 9.

10. Fold the edge inside of the figure, as shown in figure 10, at the same time, fold the extra material inside the model back, to give you something that looks like figure 11.

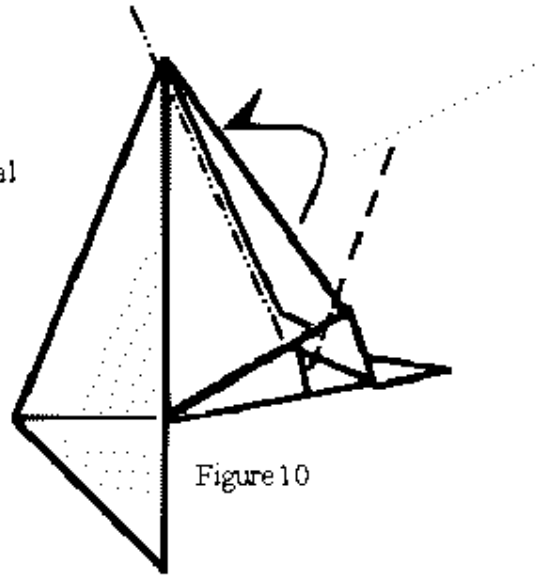


Figure 10

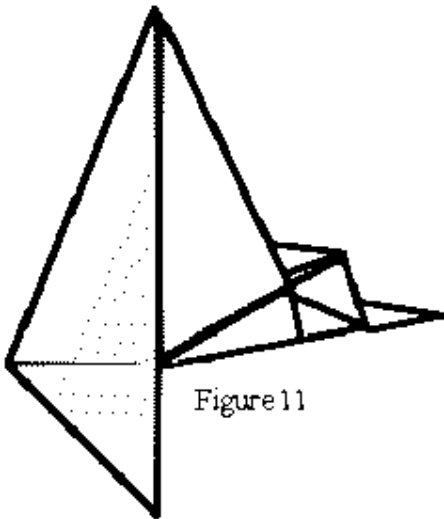


Figure 11

11. At this Point the figure, should look like the model in figure 11.

12. Petal fold the flap out so that it looks like figure 13.

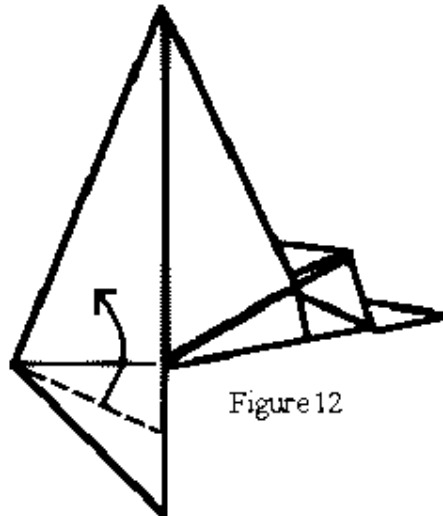


Figure 12

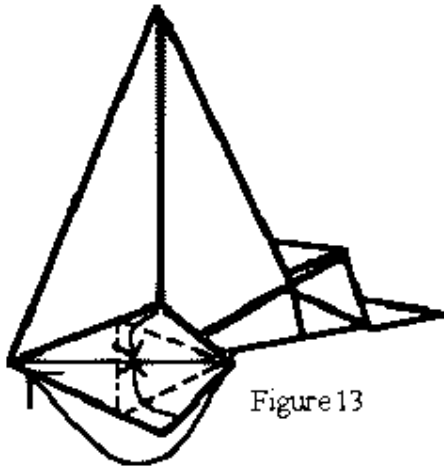


Figure 13

13. Fold in the sides of the figure to the center, then fold them back out and using those folds as guides fold the tip of the flap all the way back to the rear of the model, if done correctly that little portion of the model will look like figure 2.

14. Fold the top edge of bottom down as, shown in the illustration.

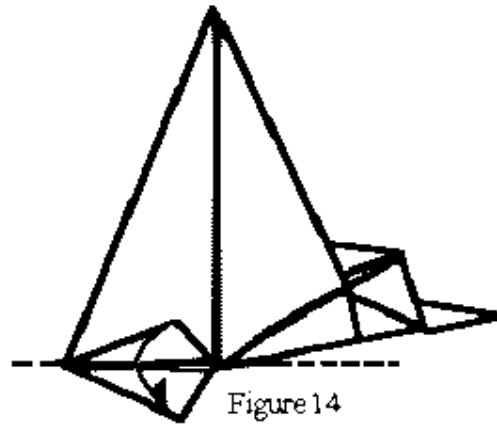


Figure 14

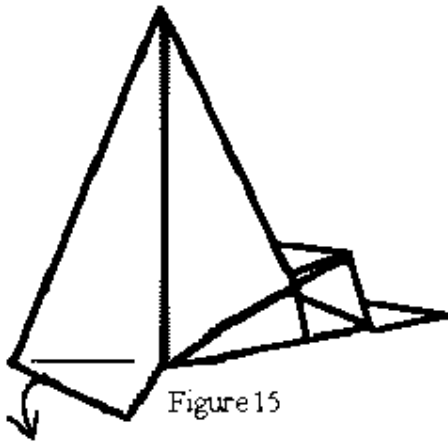


Figure 15

15. Now reach in side the model, and pull down the little flap to make the feet.

16. Now for the fun part, hold the model at the places marked in figure 16 by circles, then pull back and down on the circle on the feet, and it will flap its wings.

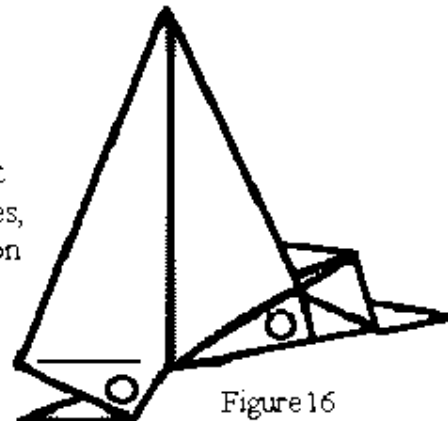


Figure 16