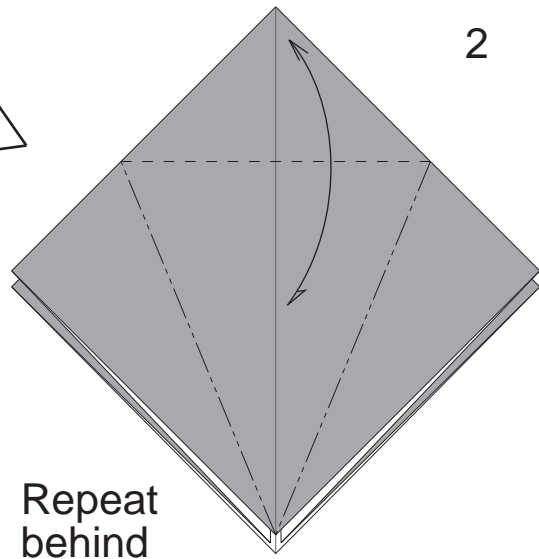
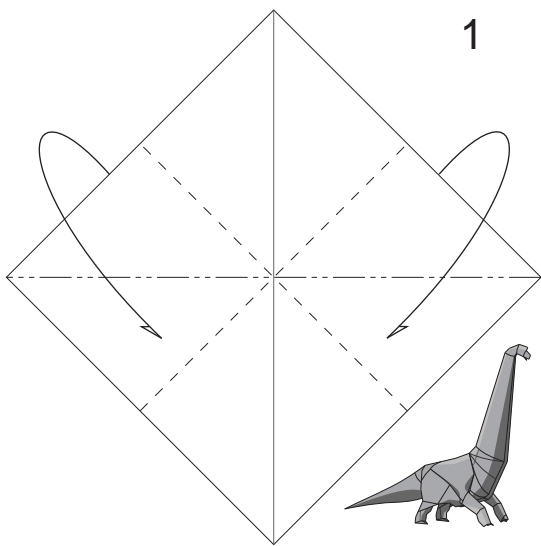
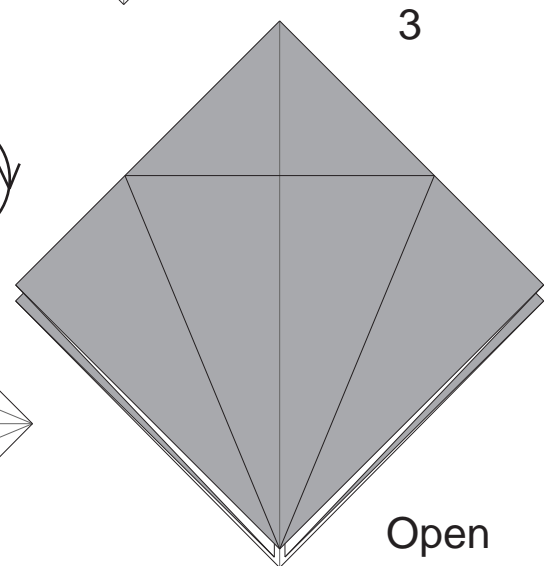


# BRACHIOSAURUS

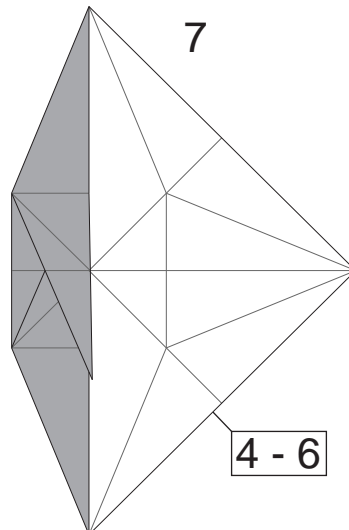
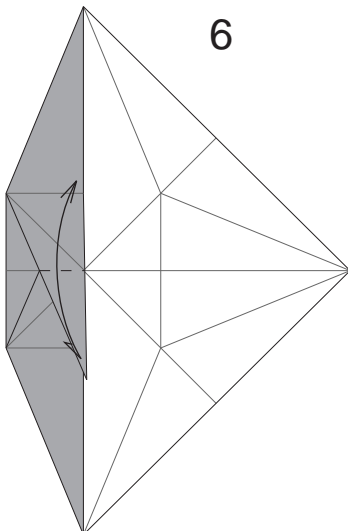
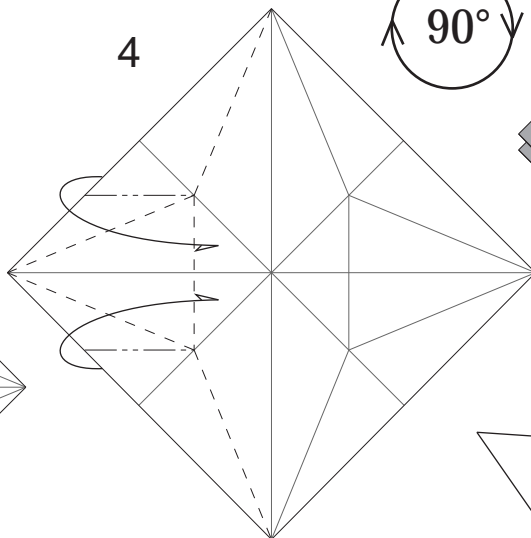
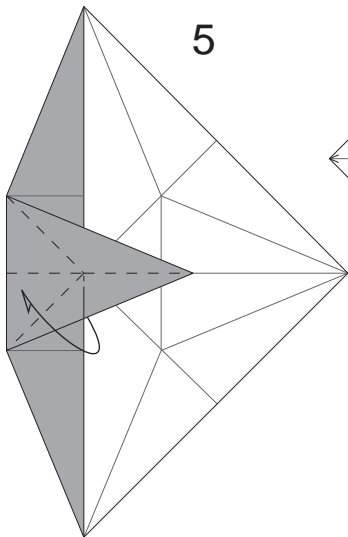
by Stefano Bachis



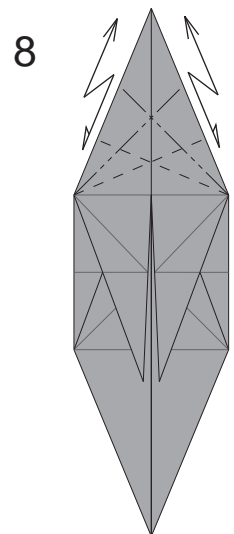
Repeat  
behind

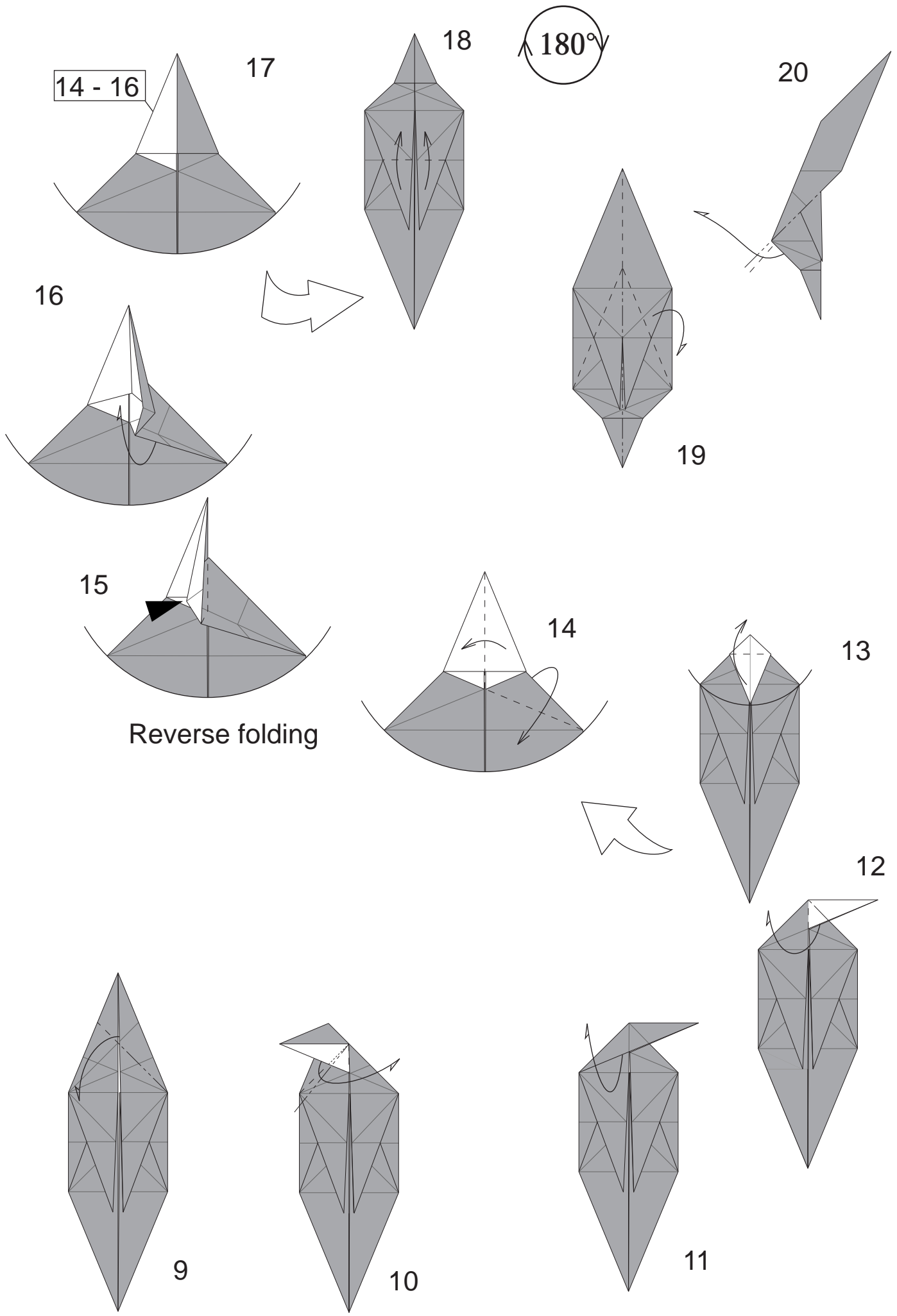


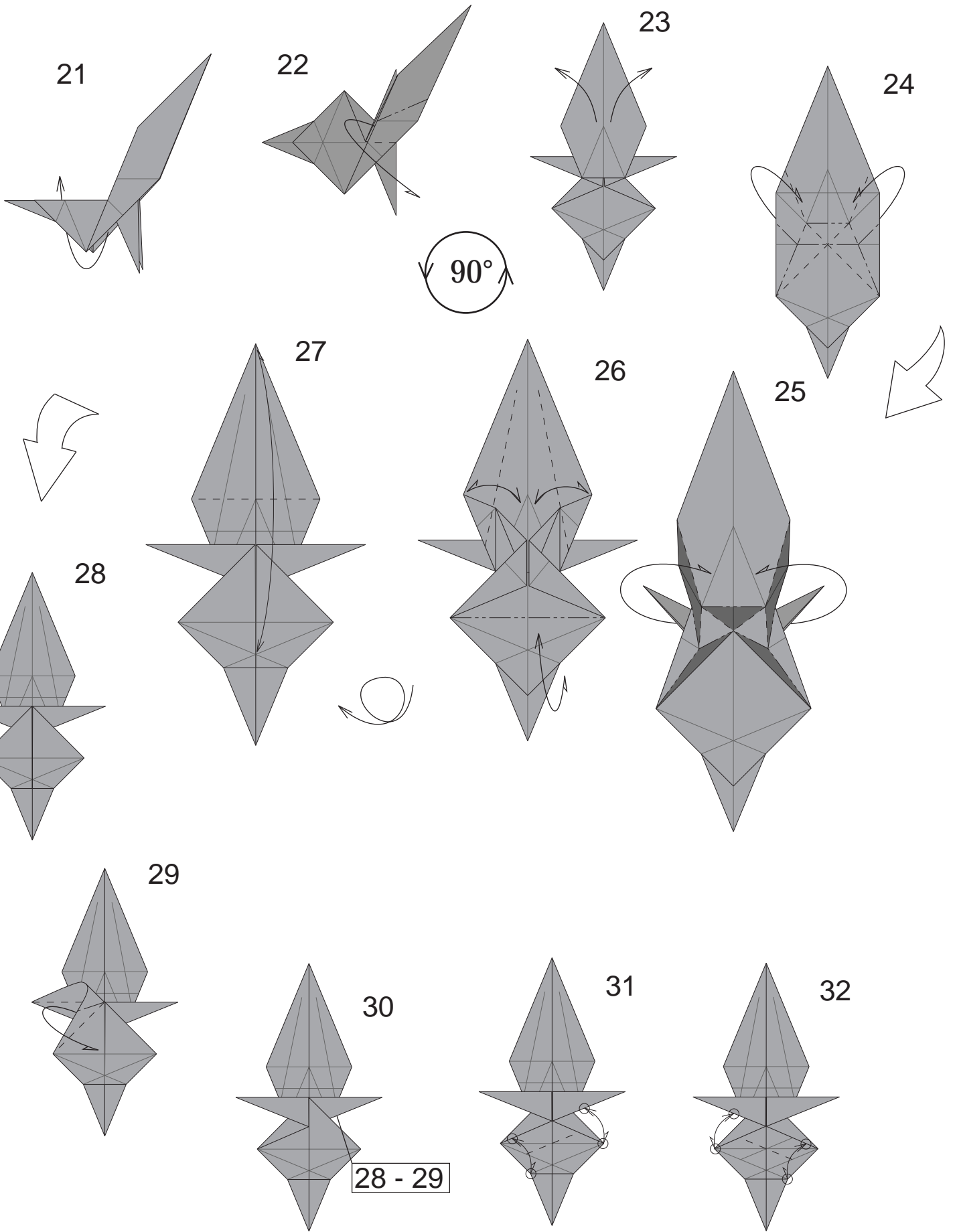
Open



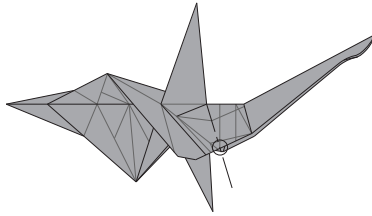
4 - 6





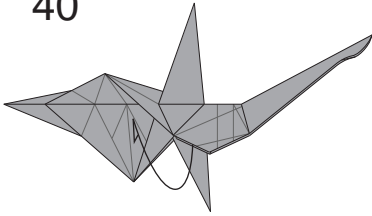


41



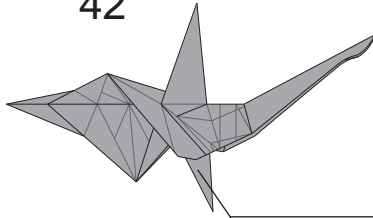
Fold and unfold

40



Open. The model will not lie flat

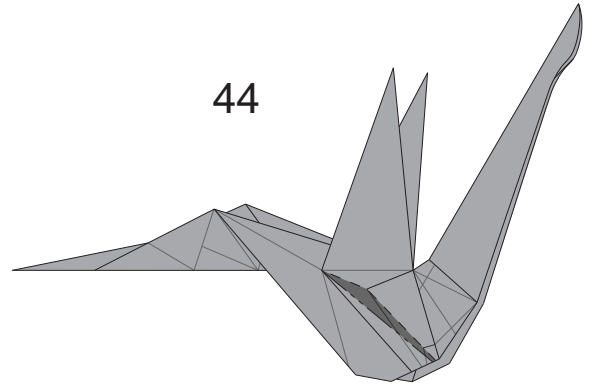
42



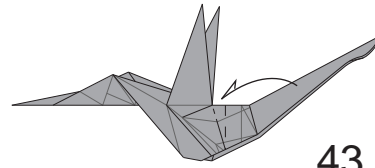
39 - 41

Repeat behind

44



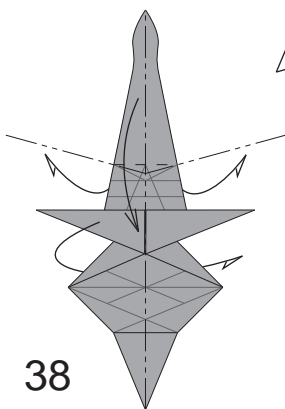
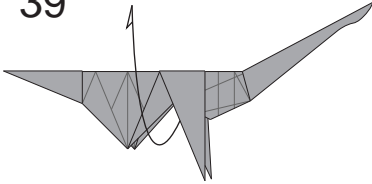
Closed sink and repeat behind



43

Crimp and sink

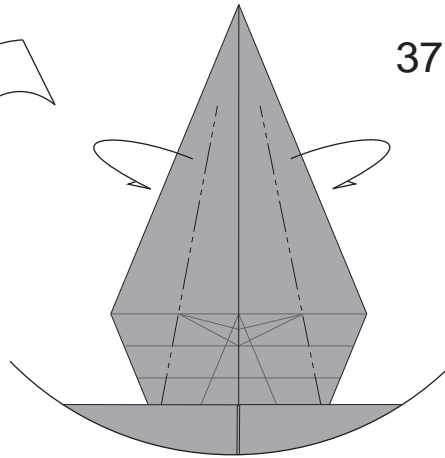
39



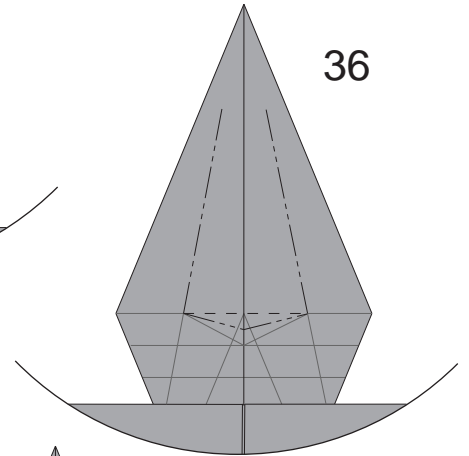
38



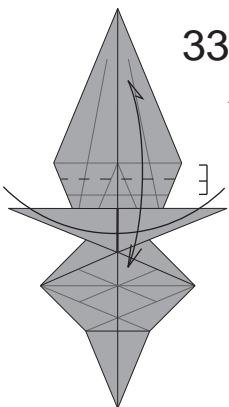
37



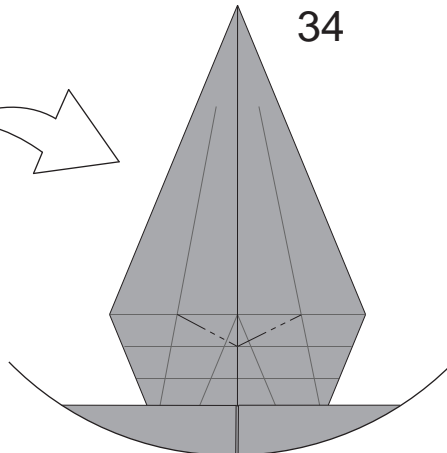
36



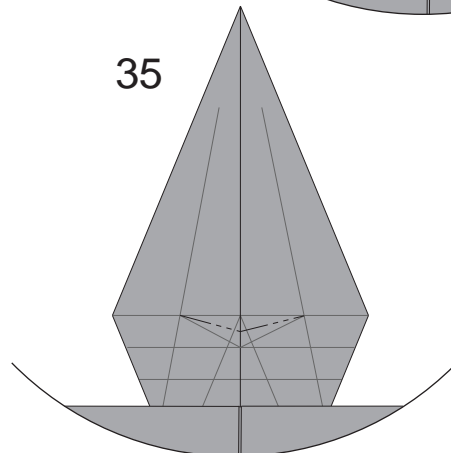
33



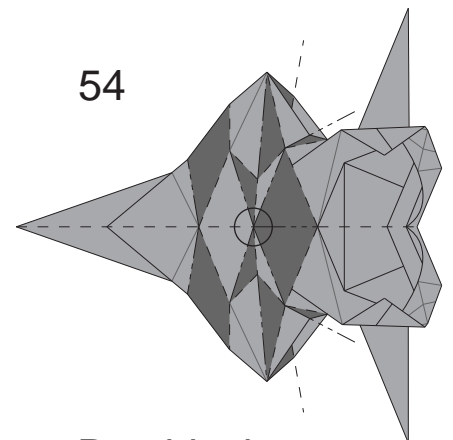
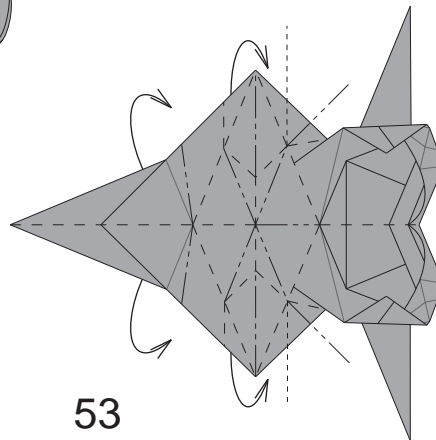
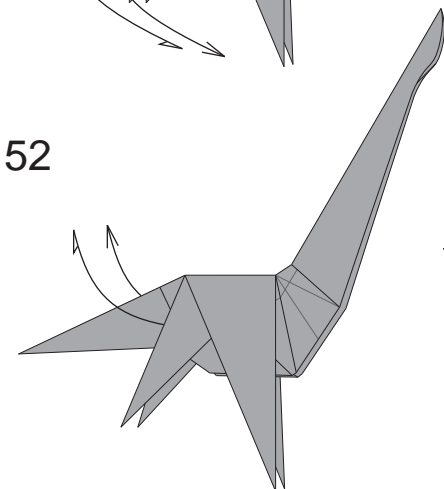
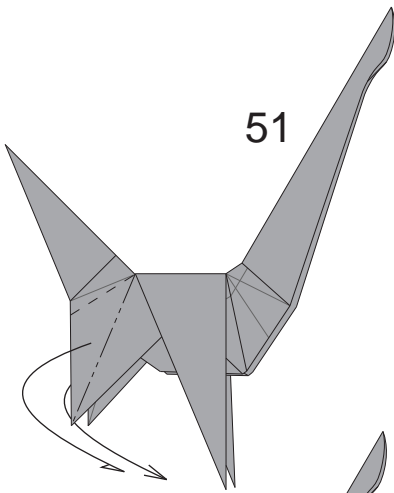
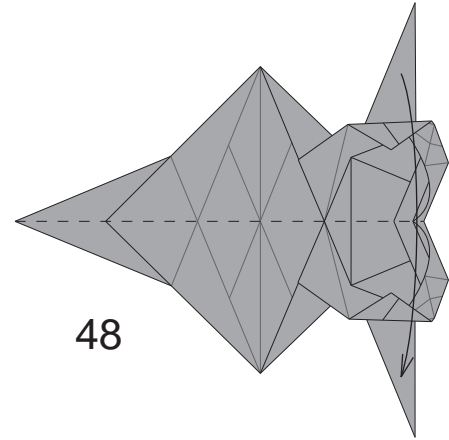
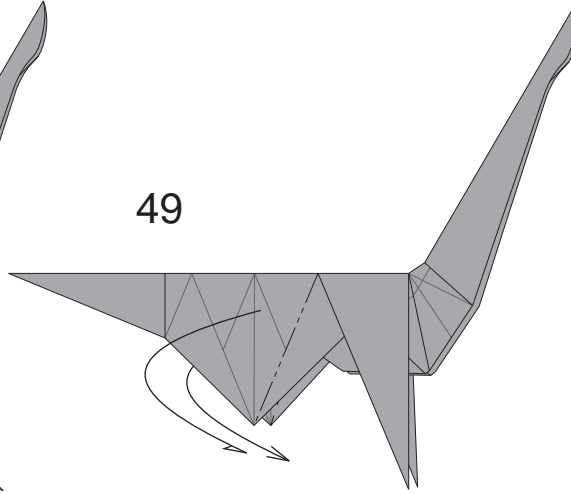
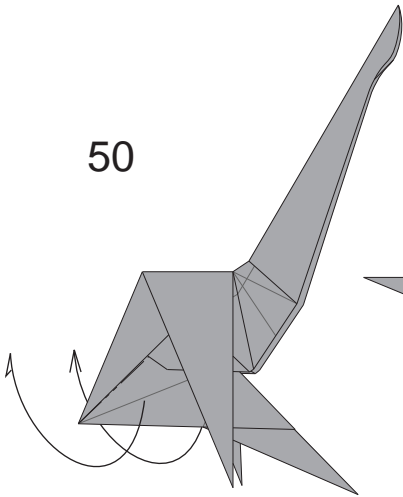
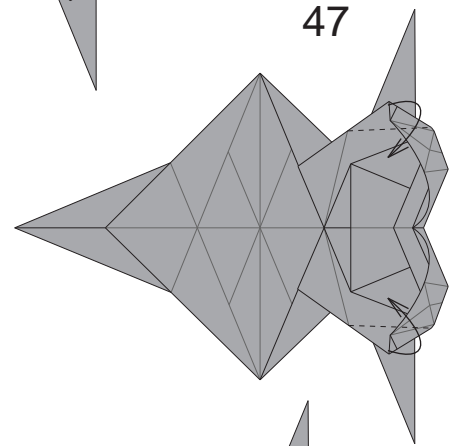
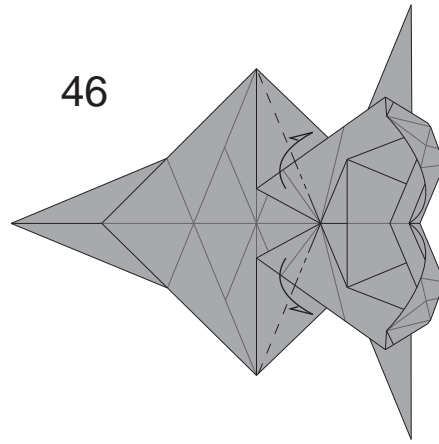
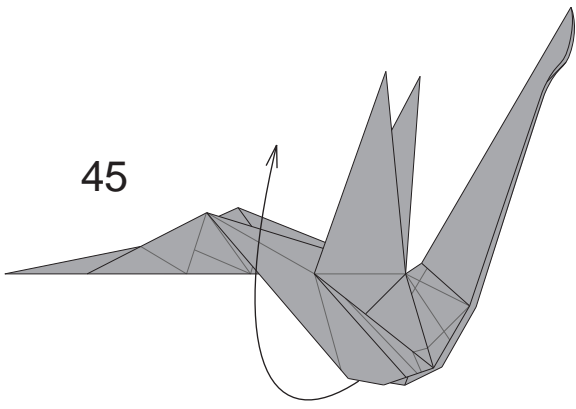
34



35



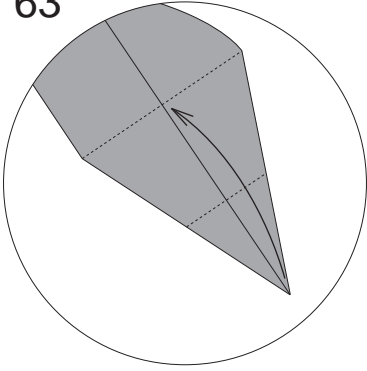
Fold and unfold  
33 - 36



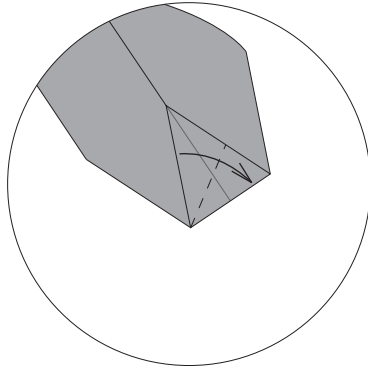
Open to step #48

Put this tip up

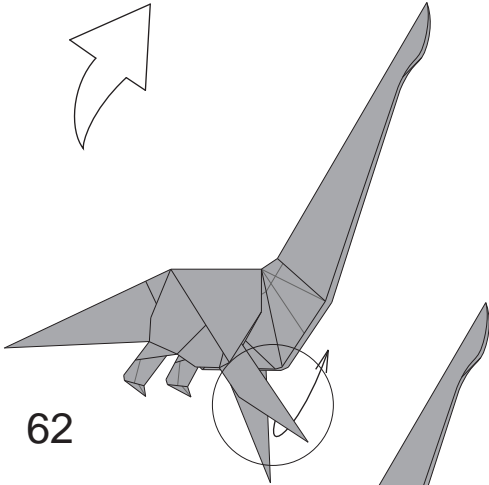
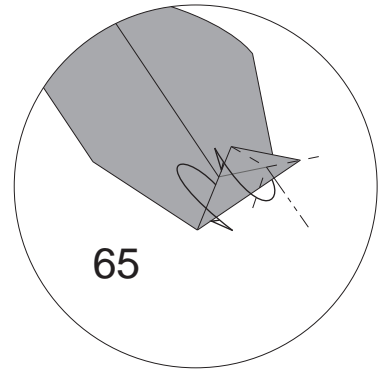
63



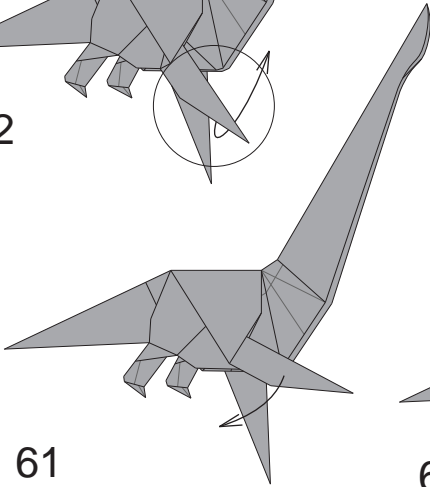
64



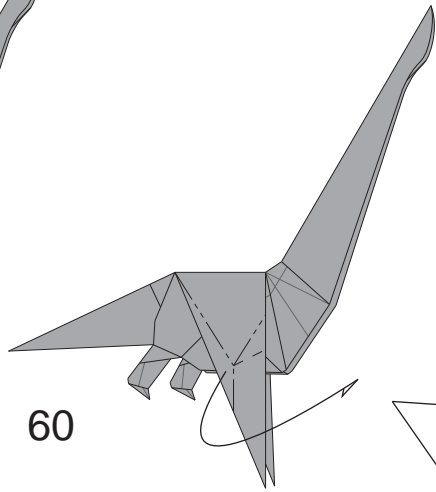
65



62

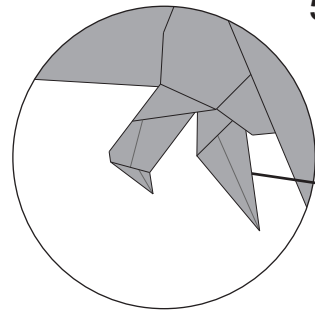


61



60

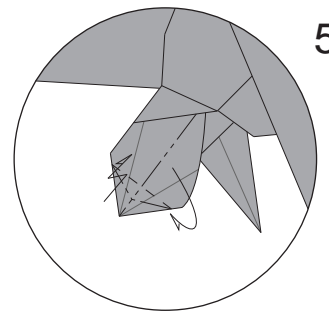
59



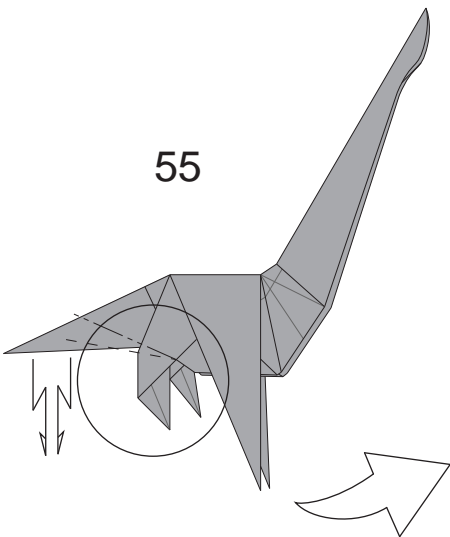
56 - 58



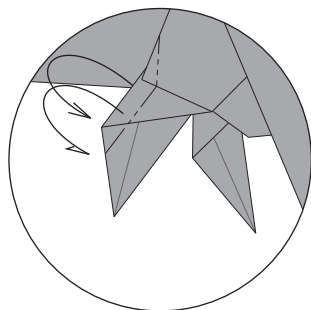
58



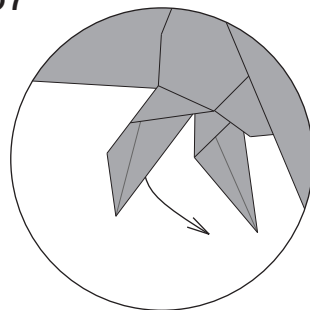
55

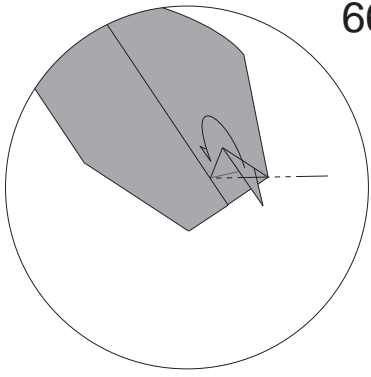


56

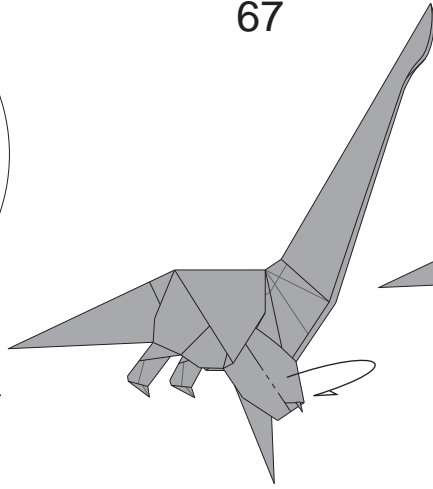


57

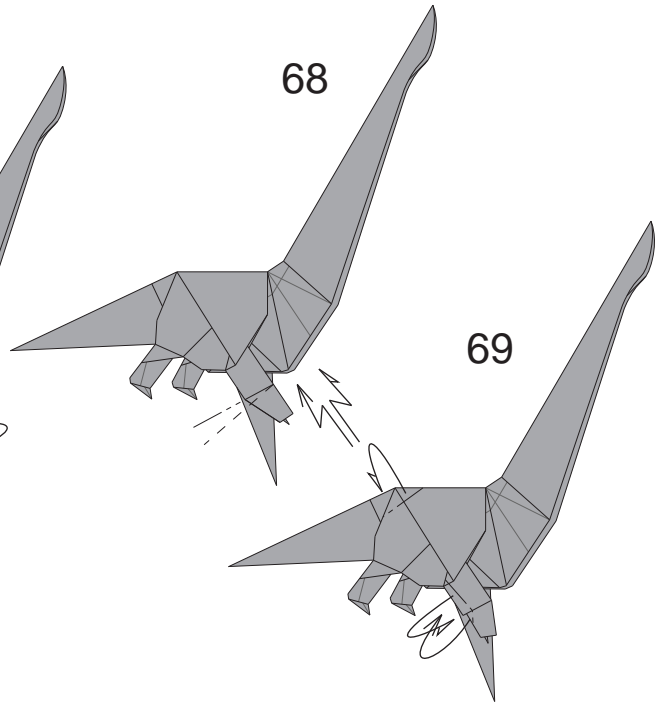




66

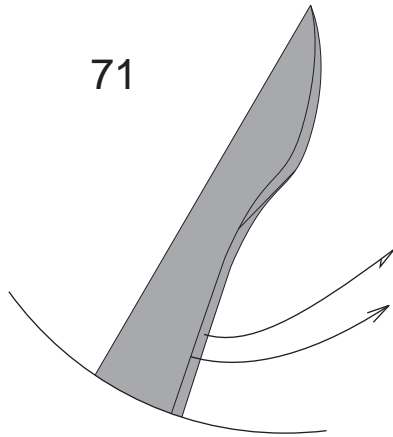


67

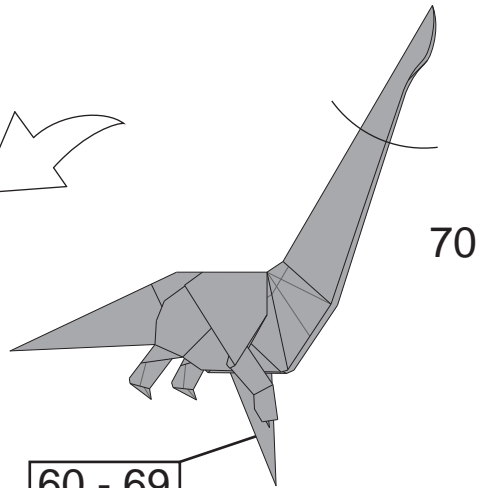


68

69

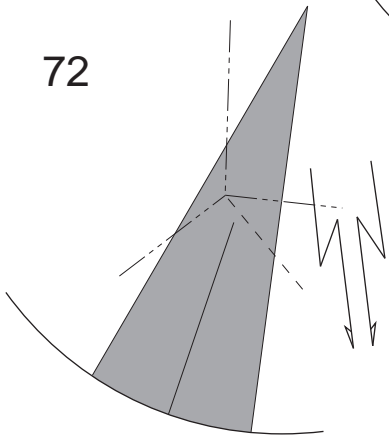


71

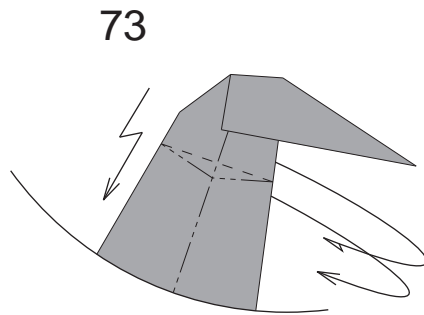


70

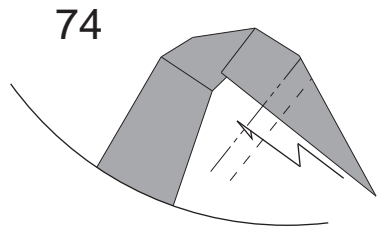
60 - 69



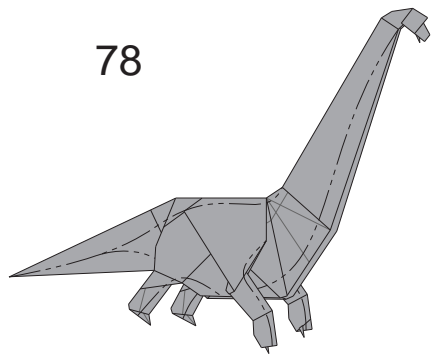
72



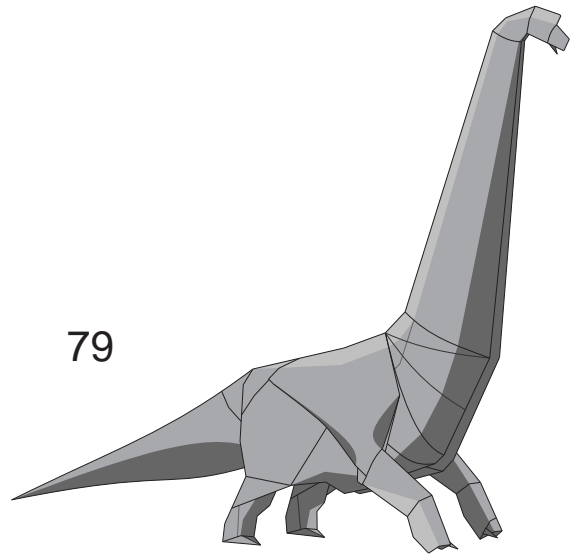
73



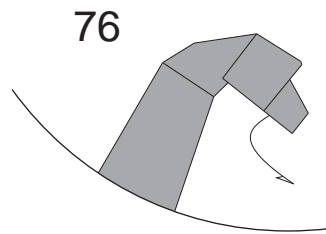
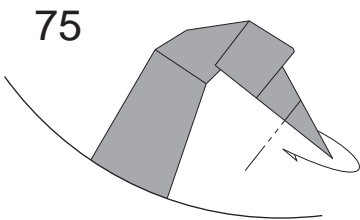
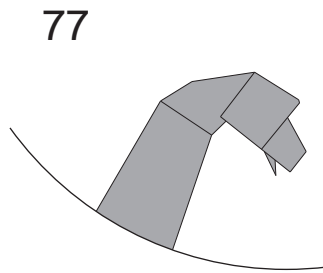
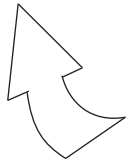
74



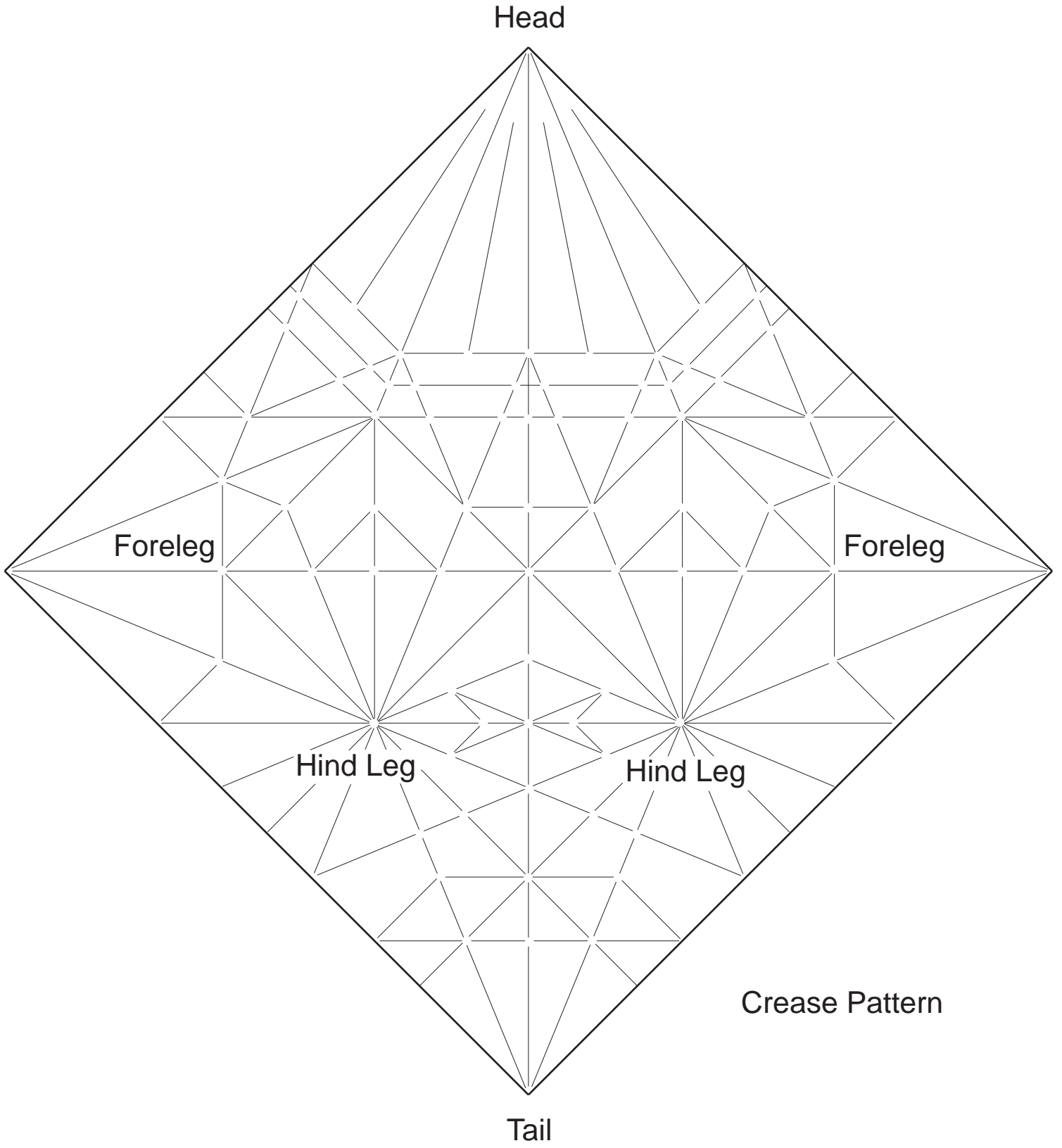
Shape the model



Model complete  
by  
Stefano Bachis







Head

Foreleg

Foreleg

Hind Leg

Hind Leg

Crease Pattern

Tail